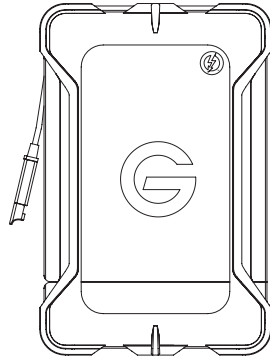
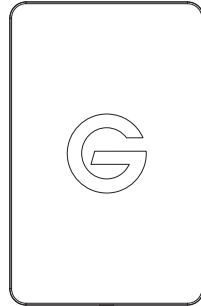


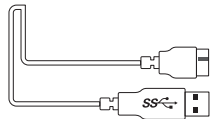
⁵Inside the box



ev All-Terrain Case with Thunderbolt™



G-DRIVE® ev RaW



⁶USB 3.0 A to Micro-B Cable

¹Utilisation de votre G-DRIVE®ev ATC avec Thunderbolt™
Ihren G-DRIVE®ev ATC mit Thunderbolt™ nutzen
使用您的 G-DRIVE®ev ATC with Thunderbolt™
使用您的 G-DRIVE®ev ATC with Thunderbolt™
G-DRIVE®ev ATC with Thunderbolt™の使い方
G-DRIVE®ev ATC with Thunderbolt™ 사용

²Accès à votre G-DRIVE®ev RaW
So funktioniert Ihr G-DRIVE®ev RaW
访问您的 G-DRIVE®ev RaW
存取您的 G-DRIVE®ev RaW
G-DRIVE®ev RaWへのアクセス
G-DRIVE®ev RaW 액세스

³Utilisation de votre G-DRIVE®ev RaW
So funktioniert Ihr G-DRIVE®ev RaW
使用您的 G-DRIVE®ev RaW
使用您的 G-DRIVE®ev RaW
G-DRIVE®ev RaWの使い方
G-DRIVE®ev RaW 사용

⁴Ou
Oder
在盒子里面
在盒子裏面
または
または
또는

⁵Contenu du carton
In der Packung
內箱
內箱
梱包内容
상자 내부

⁶Câble USB 3.0 A à Micro-B
USB 3.0 A Kabel Micro-B
USB 3.0 A 至 Micro-B 連接線
USB 3.0 A 至 Micro-B 連接線
Micro-B対応USB 3.0 Aケーブル
USB 3.0 A ~ Micro-B 케이블

Technical Support

g-technology.com/support

United States, Canada and South America

Languages Spoken English
E-Mail support@g-technology.com
Technical Support 1-888-426-5214

Europe

Languages Spoken English / German / French
E-Mail eusupport@g-technology.com
Technical Support

Austria	43-1-36-027-71464	Italy	39-02-3859-1113
Belgium	32-2-620-0008	Netherlands	31-20-654-5246
Denmark	45-82-33-2759	Norway	47-23-50-00-96
Finland	358-9-817-10-213	Russia	7-495-228-3966
France	33-1-4993-9226	Sweden	46-752-40-05-69
Germany	49-69-29-993601	Switzerland	41-22-567-5155
Ireland	353-1-605-8399	UK	44-203-356-3719

Asia Pacific

Languages Spoken English / Mandarin / Japanese
E-Mail apsupport@g-technology.com
Technical Support

Australia	1800-001-685	New Zealand	0800-446-449
China	400 8866072	Philippines	1800-1651-0597
Hong Kong	800-933-683	Singapore	1800-840-9595
India	000800-650-1244	Taiwan	00801-651-647
Indonesia	0018-0365-7854	Thailand	001800-656-450
Japan	0570 022303		
Malaysia	1800-80-6016	Rest of Asia-Pacific	+65-6840-9595

HGST Inc., a Western Digital company
3403 Yerba Buena Road, San Jose, CA 95135

g-technology.com

Thunderbolt and the Thunderbolt logo are trademarks of Intel Corporation in the U.S. and other countries.
G-Technology, G-DRIVE and G-DOCK are trademarks of Western Digital Corporation or its affiliates in the United States and/or other countries. Other trademarks are the property of their respective owners.
©2015 G-Technology, a Western Digital Corporation brand. All rights reserved. R3 10/15

비밀 기밀
가정용 응용통신기재
이 기기는 기밀(비밀) 전자파 적합기재로서 주로 가정에서 사용하는 것을 목적으로 하며, 모든 지역에서 사용할 수 없습니다.

만용(만용) HGST Singapore Pte. Ltd.
가정용 응용 G-DRIVE ev ATC TB

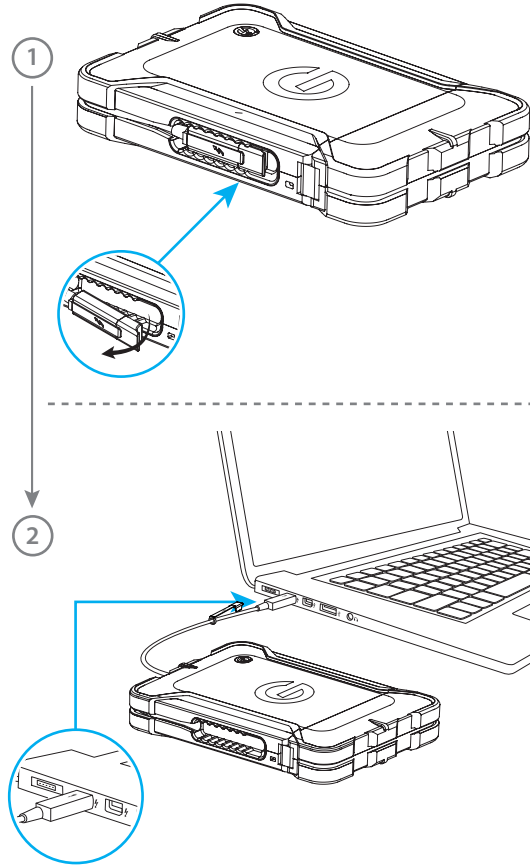
G-DRIVE® ev ATC 
with Thunderbolt™



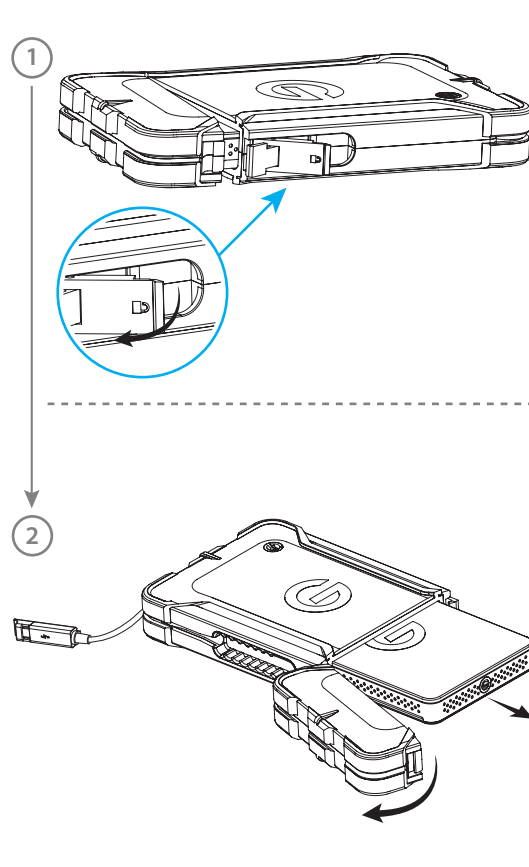
-  SHOCK RESISTANT
2.0m DROP
-  WATER PROTECTION
-  PRESSURE RESISTANT
-  DUST RESISTANT
-  FLOATS IN WATER
-  PERFORMANCE



¹Using your G-DRIVE[®]ev ATC with Thunderbolt™



²Accessing your G-DRIVE[®]ev RaW



³Using your G-DRIVE[®]ev RaW

